

OPTICAL FIBER FUSION SPLICER

AI-9

PRODUCT MANUAL

www.hcoce.com

Henan Huachuang Communication Equipment Co., Ltd

Vector Illustration

Vector Illustration

M A P

M A P

OPTICAL FIBER FUSION SPLICER

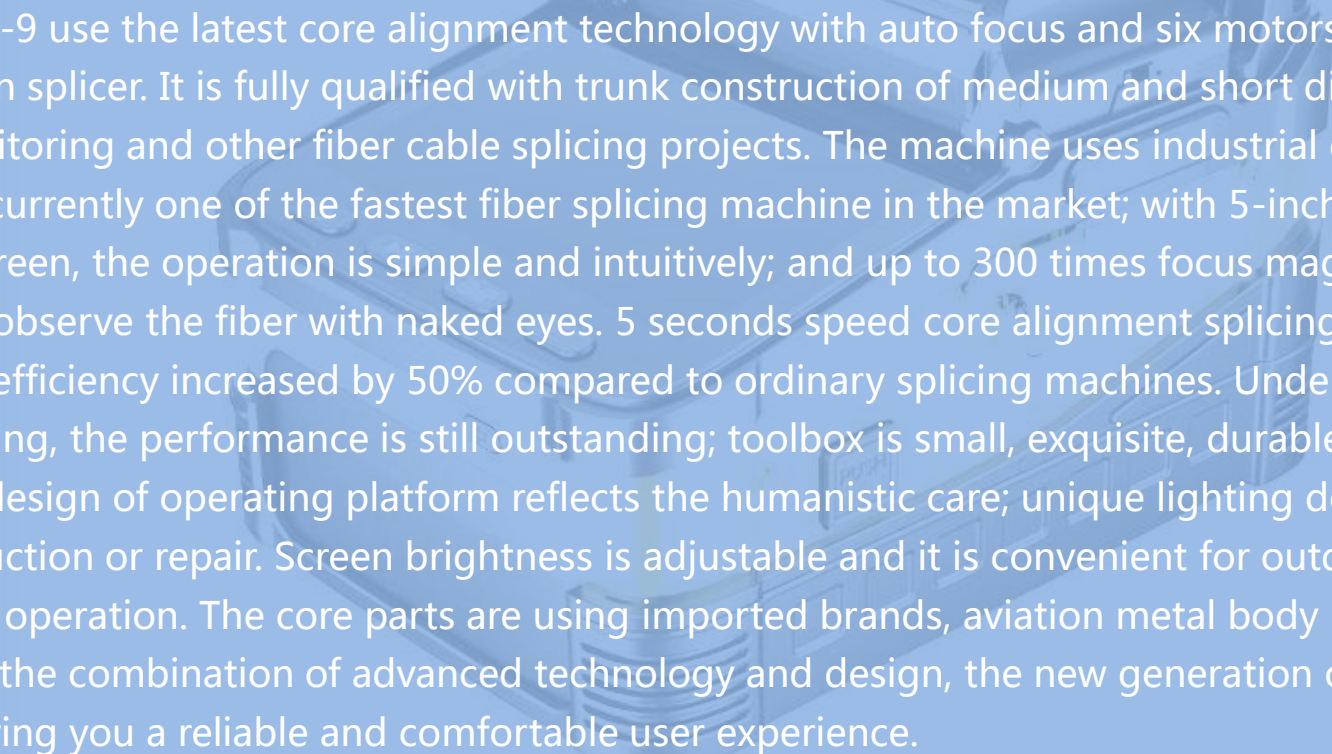
OPTICAL FIBER FUSION SPLICER



NEW PRODUCT LAUNCH

CLASSIC MASTERPIECE

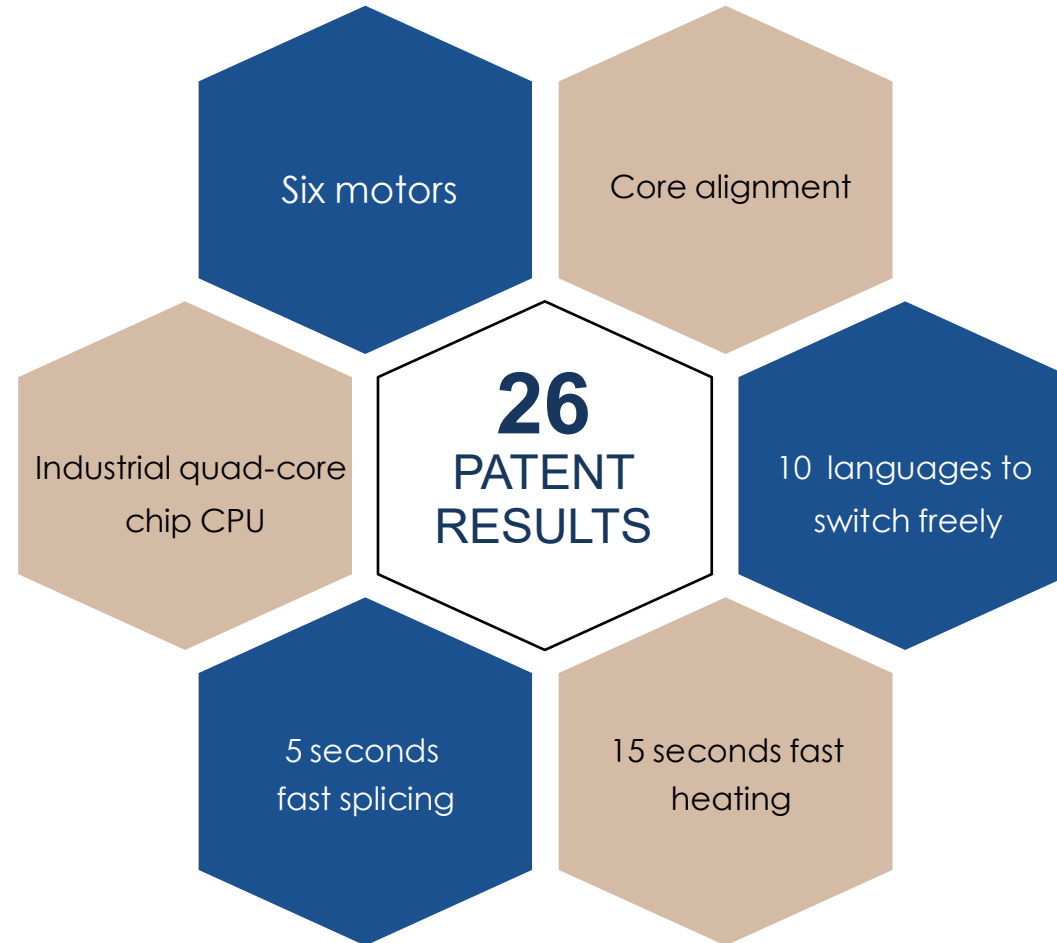
OPTICAL FIBER FUSION SPLICER



Signal Fire AI-9 use the latest core alignment technology with auto focus and six motors, it is a new generation of fiber fusion splicer. It is fully qualified with trunk construction of medium and short distance, FTTH project, security monitoring and other fiber cable splicing projects. The machine uses industrial quad-core CPU, fast response, is currently one of the fastest fiber splicing machine in the market; with 5-inch 800X480 high-resolution screen, the operation is simple and intuitively; and up to 300 times focus magnifications, making it is very easy to observe the fiber with naked eyes. 5 seconds speed core alignment splicing, 15 seconds heating, the working efficiency increased by 50% compared to ordinary splicing machines. Under the conditions of rigorous testing, the performance is still outstanding; toolbox is small, exquisite, durable, and with unique bench design. The design of operating platform reflects the humanistic care; unique lighting design, it is convenient for night construction or repair. Screen brightness is adjustable and it is convenient for outdoor sunshine environment operation. The core parts are using imported brands, aviation metal body material with exquisite details. With the combination of advanced technology and design, the new generation of optical fiber fusion splicer will bring you a reliable and comfortable user experience.

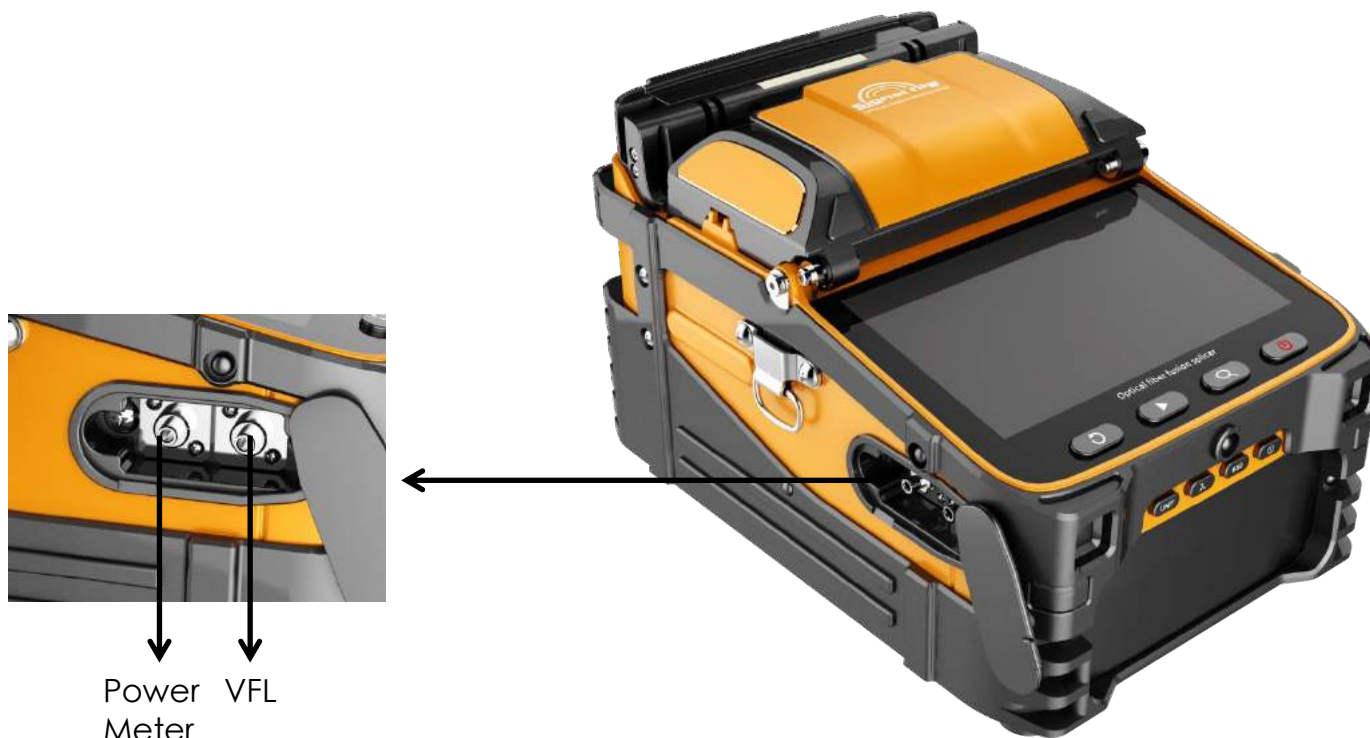
MASTERPIECE HIGH-END LUXURY

OPTICAL FIBER FUSION SPLICER



METAL BODY AESTHETIC DETAILS

OPTICAL FIBER FUSION SPLICER



Power Meter
VFL

VFL: Always on / flashing / off

Power Meter:

850nm/1300nm/1310nm/1490nm

/1550nm/1625nm Six states

BUILT-IN POWER METER AND VFL

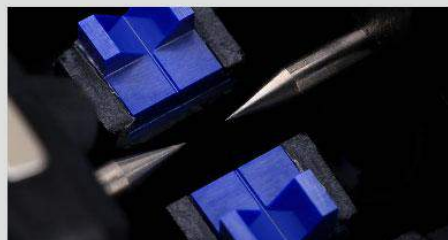
Effectively measure connection loss, verify continuity, and help assess fiber link transmission quality.

METAL BODY AESTHETIC DETAILS

OPTICAL FIBER FUSION SPLICER

PRODUCT DETAILS

Factory Address: 361521 Guangyong Zone, Jiaxing Industrial Park, Guangyong District, Chengde, China
Factory Address: 361521 Guangyong Zone, Jiaxing Industrial Park, Guangyong District, Chengde, China



EXQUISITE DETAILS

Factory Address: 361521 Guangyong Zone, Jiaxing Industrial Park, Guangyong District, Chengde, China
Factory Address: 361521 Guangyong Zone, Jiaxing Industrial Park, Guangyong District, Chengde, China



THE TOOLBOX

COMES WITH A STOOL TO FACILITATE THE CONSTRUCTION WORKERS.

OPTICAL FIBER FUSION SPLICER



Stool can bear 100KG

Remove the stool



Do not need to take out the splicer machine from the toolbox while working.

Fiber cleave operator station



Two layers

CORE PARTS QUALITY ASSURANCE

OPTICAL FIBER FUSION SPLICER



Siemens stepper motor



Roth ROUST linear guide



Sanyo lithium battery

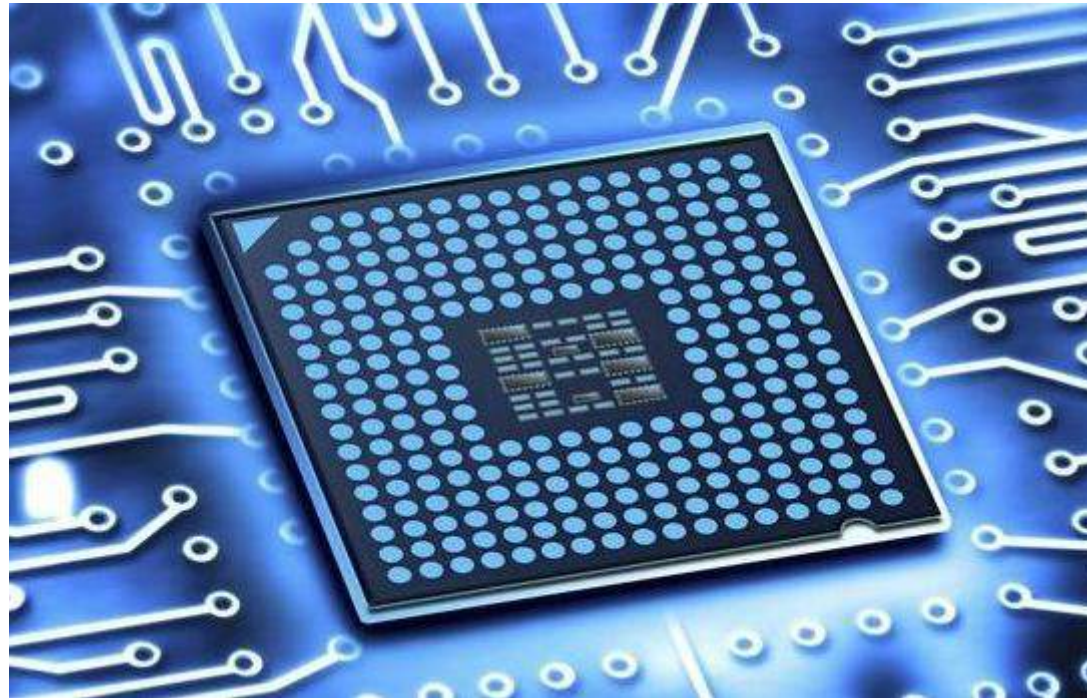


Aviation metal material

INDUSTRIAL QUAD-CORE CHIP CPU

OPTICAL FIBER FUSION SPLICER

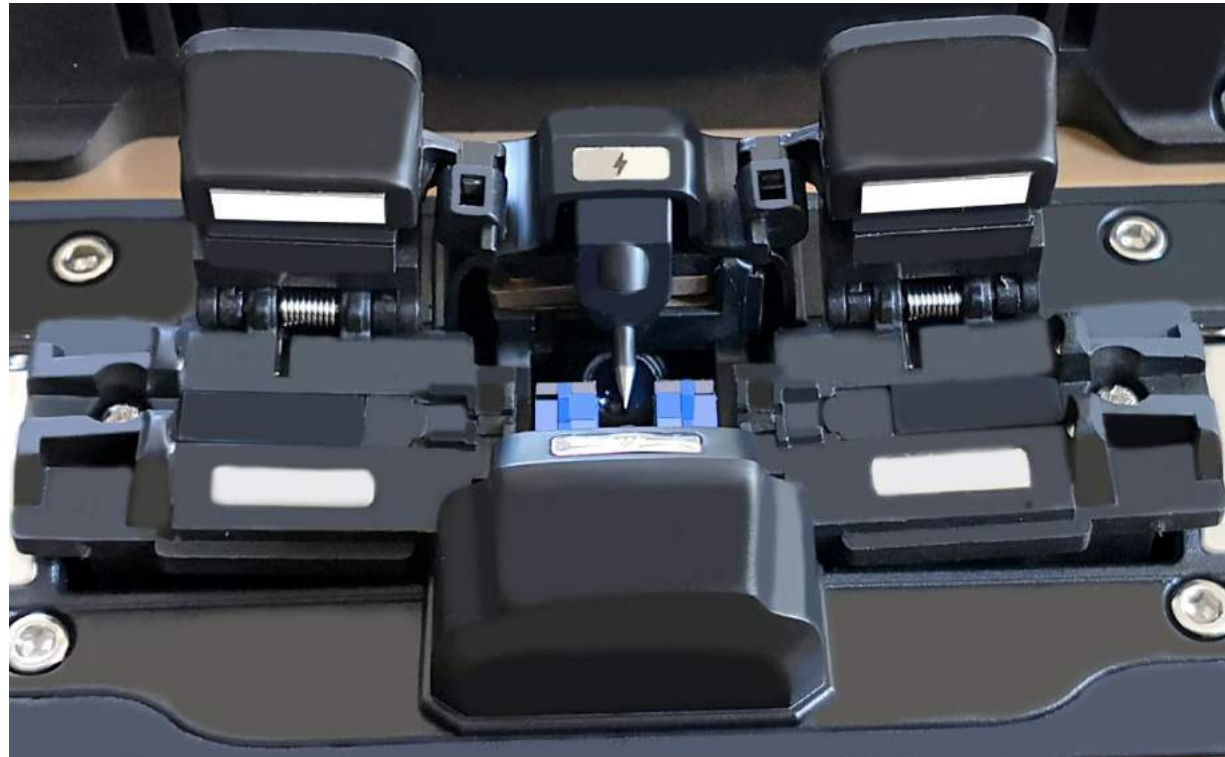
Synchronous operation / speed response / no jammed / super experience



3 IN 1 FIBER HOLDER

OPTICAL FIBER FUSION SPLICER

SM, MM, bare fiber, pigtail, rubber-insulated, multi fiber cable



7800mAh LARGE CAPACITY BATTERY

OPTICAL FIBER FUSION SPLICER

charging time \leq 3.5 hours/continuous splicing and heating about 260 times

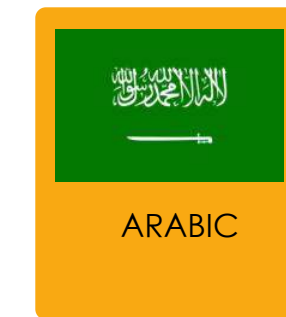
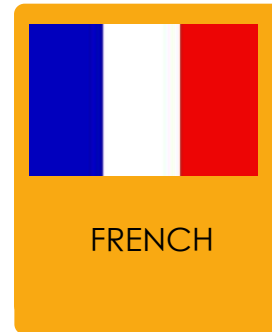


Press to popup
the battery

10 LANGUAGES TO SWITCH FREELY

OPTICAL FIBER FUSION SPLICER

Covers the global major user market



Show good performance in plateau, desert, and extreme cold environment

OPTICAL FIBER FUSION SPLICER



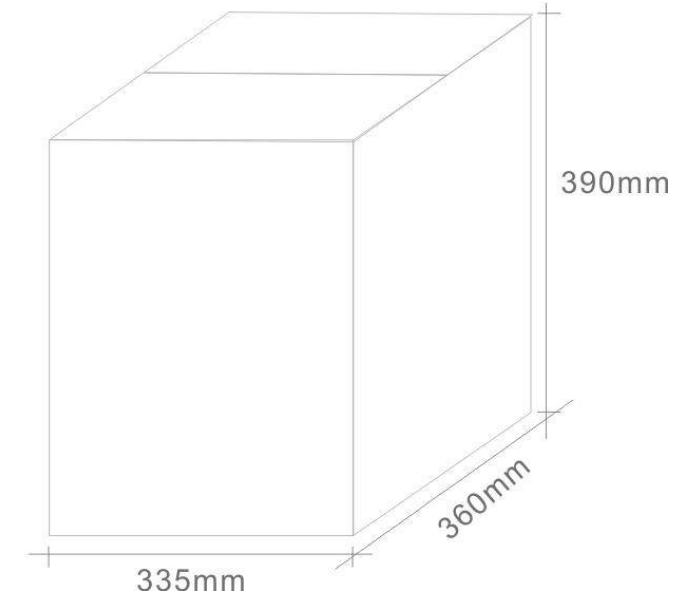
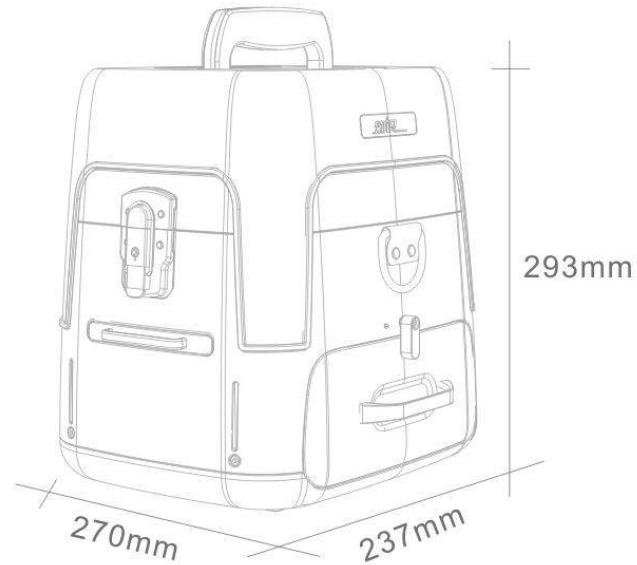
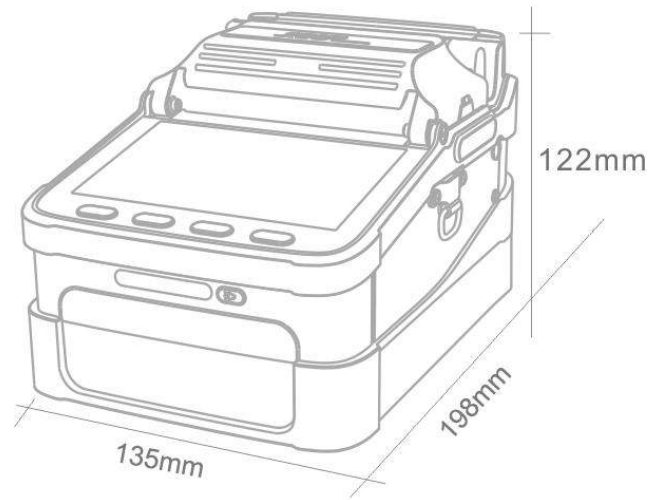
BASIC PARAMETER

OPTICAL FIBER FUSION SPLICER

Fiber alignment	Core/cladding alignment / Manual alignment	Language Setting	10 languages to switch freely
Splicing time	5S	Tension Test	Standard 2N
Heating time	15S	Fiber holders	3 in 1 fiber holder, SM, MM, bare fiber, pigtail, rubber-insulated, multi fiber cable
Heating mode	Automatic heating (Preheating)	Magnification	300 for X or Y view, 150 for X or Y view
Focus mode	Six motors Auto focus	Screen	5 inch TFT color display
Applicable Fibers	SM(G.652&G.657)、MM (G.651) 、DS(G.657)、NZDS (G.655)	Splicing Mode	Normal / high precision splicing
Splice Loss	0.025dB (SM) 、 0.01dB (MM) 0.04dB (DS/NZDS)	Splicing method	Fully automatic、 Step by step splicing
Control technology	Real-time control and calibration of fusion ARC	Splicing record storage	Synchronize to the phone, the server to cloud storage unlimited
Return loss	Better than 60DB	Built-in battery	7800 mA high-capacity lithium battery, charging time ≤ 3.5 hours, continuous splicing and heating about 260 times
Fiber diameter	Cladding Diameter : 80-150μm Coating Diameter : 100-1000μm	Power supply	Input AC100-240V 50 / 60HZ, output DC13.5V / 4.8A, the current power mode can be identified, real-time detection of battery power
Fiber Cleave Length	Coating less than 250μm : 8-16mm Coating less than 250-1000μm:16mm	Operating Conditions	Temperature -15 ~ +50 °C, humidity: <95% RH (no condensation) Working altitude: 0 ~ 5000m. Resist max. wind speed: ≤ 15m / s
Software update Length	Automatically update、 Update by a key	Shrinkable tube	60mm、 50mm、 40mm、 25mm
Boot time	1 second	Product protection	Waterproof, dust proof, shock-resistant

Size

OPTICAL FIBER FUSION SPLICER



Machine weight

2.08kg (with battery)
1.60kg (without battery)

Toolbox weight

7.1kg (including machine and accessories)

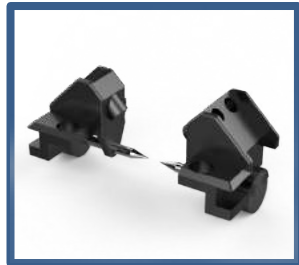
Total weight

8.40kg

Accessories in the tool box



Fiber Cleaver



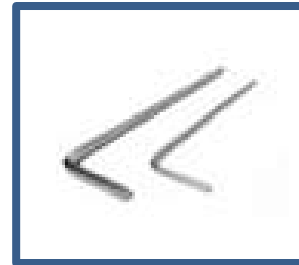
Spare electrode



Wire stripping pliers



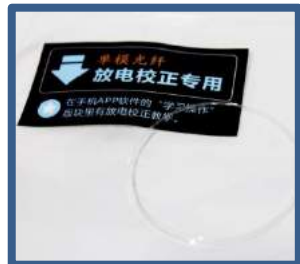
Miller stripper



Hex key



carrying case



Fiber for
ARC calibration



Strap



Power Adapter



Alcohol Bottle



Brush



User's manual
Quality Certificate
Warranty Card

INTELLECTUAL PROPERTY

OPTICAL FIBER FUSION SPLICER



We obtained PCT patents, 8 invention patents, 16 utility model patents, and 2 appearance patents.

OPTICAL FIBER FUSION SPLICER

专利合作条约
PCT
国际检索报告
PCT第19条实施细则第43条4d

申请人或代理人的姓名或名称 LPI0008	发明名称 光纤熔接机	IPC分类号 H01J01/02
发明申请号 CN201510167990.0	国际申请日(YY/MM/YY) 2015.07.20	国际检索日期(YY/MM/YY) 2015.11.19

申请人: 罗春晖

本国际检索报告是根据本国际检索员从申请人提供的说明书和权利要求书以及附图所作出的。本国际检索员并不对申请人的发明是否构成现有技术进行评价。

本国际检索员认为本国际检索员所作出的检索结论是合理的。

1. 发明的基础

1.1 关于语言: 进行国际检索的基础是: 国际检索员所使用的语言; 国际检索员所使用的语言; 国际检索员所使用的语言。

1.2 关于图 23-10(1): 本国际检索员认为本国际检索员所作出的检索结论是合理的; 本国际检索员认为本国际检索员所作出的检索结论是不合理的; 本国际检索员认为本国际检索员所作出的检索结论是不合理的; 本国际检索员认为本国际检索员所作出的检索结论是不合理的。

2. 关于发明的单一性(第 111 条): 本国际检索员认为本国际检索员所作出的检索结论是合理的; 本国际检索员认为本国际检索员所作出的检索结论是不合理的; 本国际检索员认为本国际检索员所作出的检索结论是不合理的; 本国际检索员认为本国际检索员所作出的检索结论是不合理的。

3. 关于新颖性: 本国际检索员认为本国际检索员所作出的检索结论是合理的; 本国际检索员认为本国际检索员所作出的检索结论是不合理的; 本国际检索员认为本国际检索员所作出的检索结论是不合理的; 本国际检索员认为本国际检索员所作出的检索结论是不合理的。

4. 关于创造性: 本国际检索员认为本国际检索员所作出的检索结论是合理的; 本国际检索员认为本国际检索员所作出的检索结论是不合理的; 本国际检索员认为本国际检索员所作出的检索结论是不合理的; 本国际检索员认为本国际检索员所作出的检索结论是不合理的。

5. 关于权利要求: 本国际检索员认为本国际检索员所作出的检索结论是合理的; 本国际检索员认为本国际检索员所作出的检索结论是不合理的; 本国际检索员认为本国际检索员所作出的检索结论是不合理的; 本国际检索员认为本国际检索员所作出的检索结论是不合理的。

6. 关于附图: 本国际检索员认为本国际检索员所作出的检索结论是合理的; 本国际检索员认为本国际检索员所作出的检索结论是不合理的; 本国际检索员认为本国际检索员所作出的检索结论是不合理的; 本国际检索员认为本国际检索员所作出的检索结论是不合理的。

IPC分类号: H01J01/02 (2015.01)



SERVICE COMMITMENT



OPTICAL FIBER FUSION SPLICER

Five years warranty, but these circumstances are not within the scope of this provision.

●01.Except for the cleaver, miller clamp, stripping pliers, fiber holders and other tools whose life depends on the frequency of use and the use of the environment. Also electrodes are consumption material which are not in the warranty.

●02.Battery and power adapter are warranty for one year, it is in free warranty where it is damaged or can not be charged in one year.